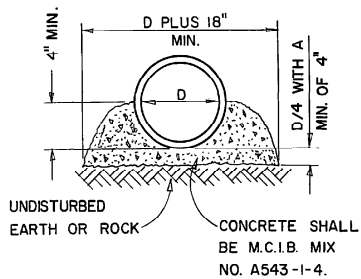


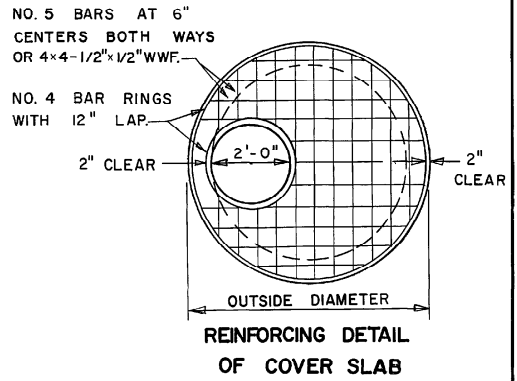
SECTION

\*6" WHEN PLACED ON SOLID LEDGE ROCK.

NOTE: MINIMUM DISTANCE BETWEEN ANY TWO ADJACENT PIPES SHALL BE 4".



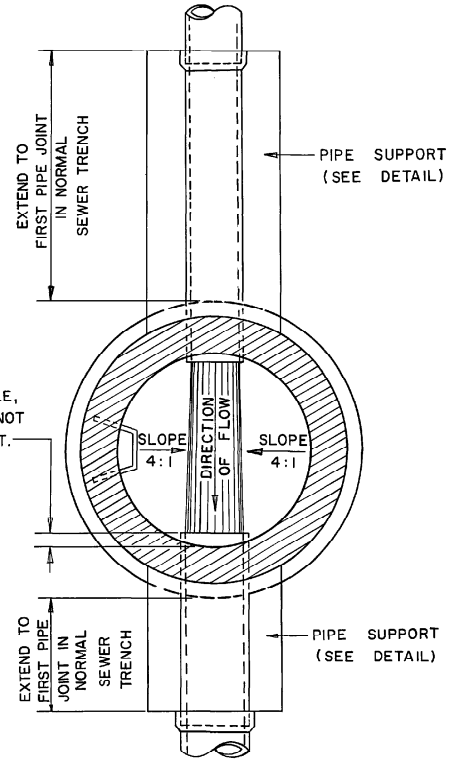
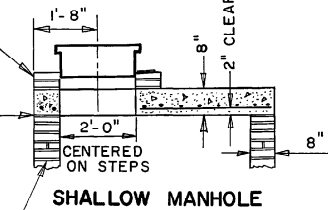
PIPE SUPPORT DETAIL



CLAY BRICKS OF NOT LESS THAN 2 COURSES NOR MORE THAN 4 COURSES.

PLACE A MIN. OF 3/8" WET MORTAR BETWEEN TOP LAY OF BRICKS AND COVER SLAB.

WHEN HEIGHT OF MANHOLE (H) IS LESS THAN 6'-0", MANHOLE SHALL BE BUILT WITH A VERTICAL WALL AND A PRECAST CONCRETE COVER SLAB.



SECTIONAL PLAN

THIS STANDARD SUPERCEDES STANDARD PLAN MH-B ENTRY NO. 81888 DATED 1-12-68.

ADOPTED . . . .

\_\_\_\_\_  
DIRECTOR OF PUBLIC WORKS DATE

ENTRY NO. \_\_\_\_\_

KANSAS CITY, MO.  
DEPARTMENT OF  
PUBLIC WORKS  
ENGINEERING  
DIVISION

APPROVED  
\_\_\_\_\_  
CITY ENGINEER  
DATE

REVISED  
\_\_\_\_\_  
\_\_\_\_\_  
\_\_\_\_\_

MANHOLE - BRICK  
4'-0" OR 5'-0" DIA.

STANDARD  
PLAN

MH-B